

**TouchWin**

**Manufacture**

Thinget Electronic Co., Ltd

Address: 4<sup>th</sup> Floor, Building 7, Originality Industry Park,  
LiYuan Development Zone, Wuxi city, JiangSu Province

Tel: 86 510 85134136

Fax: 86 510 85111290

Website: [www.xinje.com](http://www.xinje.com)

Mailbox: [sale@xinje.com](mailto:sale@xinje.com)

HMI



**TouchWin**

**TouchWin**

**OP Series Text Display  
TP Series Touch Screen**



## About Us

Contributing to the automatic industry, WUXI XINJE ELECTRONIC CO., LTD. specializes in manufacturing and marketing PLC (Programming Logic Controller), HMI (Human Machine Interface), and proximity switch.

With a group of experienced engineers and operators, our company have developed FC and XC series PLC, TP series industrial touch panel, OP series operate panel, and LJ series proximity switch, widely used in the automatic controls for textile machine, drive device, coal device, air-conditioning, environmental protection, etc.



### ITP-A60-TI

10.4 inch, display large amount effective information

10.4 Inch Color TFT 800\*600 Pixels Color 8MB FlashROM 4KB SRAM

### ITP-A60-LI

10.4 inch, 4-grade gray, with powerful data disposal function

10.4 Inch 4-grade gray 640\*480 Pixels Monochrome 8MB FlashROM 4KB SRAM



### ITP-560-T

5.7 inch, with powerful data disposal function

5.7 Inch Color TFT 320\*240 Pixels Color 4MB FlashROM 4KB SRAM

### ITP-560-L

5.7 inch, widely used in the device system

5.7 Inch Monochrome LCD 320\*240 Pixels Black-white 4MB FlashROM 2KB SRAM



### ITP-460-L

4.7 inch, can display large amount effective information

4.7 Inch Monochrome LCD 240\*128 Pixels Black-white 2MB FlashROM 1KB SRAM

## Our commitment to the quality

To Xinje, quality is not only a slogan, it's also the base of company's every decision. Take advantages of research, technology and exact devices, our goal is to design and manufacture high reliability and easy to use products. Our mission is to launch the newest, advanced products to the market, help you realize every project successfully.



### IOP-560-L

5.7 inch, Windows font input, make graph directly with fast speed

5.7 Inch Monochrome LCD 320\*240 Pixels Black-white 4MB FlashROM 2KB SRAM

### IOP520

5.7 inch, 30 lines 40 rows display letters, 42 function keys, adapt to the bad environment

5.7 Inch Monochrome LCD 320\*240 Pixels Black-white 1MB FlashROM 1KB SRAM



### IOP320

3.7 inch, monochrome, 7 keys, flexible with low cost

3.7 Inch Monochrome LCD 192\*64 Pixels Black-white 1MB FlashROM 1KB SRAM

### IOP320-A

3.7 inch, monochrome, widely used in the device system

3.7 Inch Monochrome LCD 192\*64 Pixels Black-white 1MB FlashROM 20 function keys



### IOP320-S

Support RS485 communication

3.7 Inch Monochrome LCD 192\*64 Pixels Black-white 1MB FlashROM



### IOP320-A-SI

Support RS485 communication

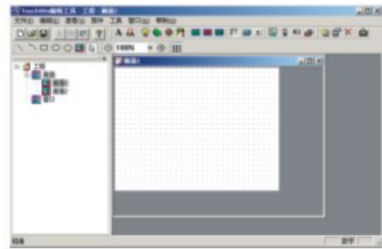
3.7 Inch Monochrome LCD 192\*64 Pixels Black-white 1MB FlashROM



## Support and service everywhere

Choose Xinje, you choose not only high quality products but also good service and technical support! The experienced engineers could give you the answer and solve your problem at the first time. As the products of Human Machine Interface, they could even offer configuration help and technical enquiry via Internet or NetMeeting in the future. Also you could offer your own HMI function requirement, just as other products, you could realize "DIY" of HMI products.

### Software with powerful function



Software for screen edit

- TouchWin screen edit software is designed for TP series touch screen, with this software, you could create and edit your screen easily and expediently.

### Alarm list function



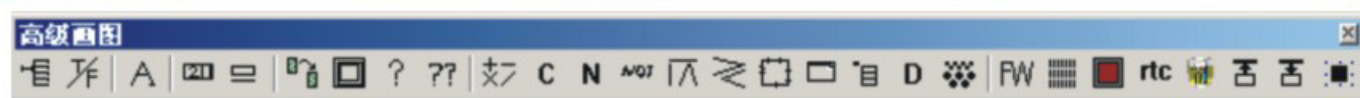
- At the produce locale, the problems with unclear reason usually happen and it's hard to find them out. Via alarm list function, you could get the reason easily.

### Encrypt function



- According to the operator's level, there are three levels for the password protecting level. The operator only need to input the password and then he could operate with the screen.

### New added function

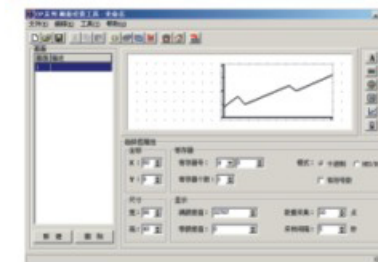


Advanced draw graph function, the user could carry on any combination according to his actual requirement.

## More competitive price system

Nowadays, China has become Global manufacture center and worldwide factory. With advanced technology and golden suppliers, Xinje Electronic fully use the resource, develop and manufacture many more series HMI products with more higher performance-price ratio. Manufacture "Powerful brand with most competitive price" is our final goal!

### Convenient edit tool



OP series screen edit software

- The edit tool offers strong support for the designers. This software is designed with clear think way and the structure is simple. The components which will be used frequently are placed at the striking position, with which you could make the screens according to your requirement. The beginner could finish the project needn't training or study the manual.

### Convenient keys



- On the panel of OP520, there are 42 operate keys, including 0~9 these ten number keys which make you easy to input data; 20 function keys as the function keys, you could define their function at your will, in which F1-F4 are menu option keys, realizing screen jump directly with fast speed. The 16 function keys in the bottom embed lighting indicate lamp, control the lighting status by the program; On the opposite side of the panel, there are belts that could be drawn out. The user could design the function keys' name and color freely, no limitation for Chinese or English, which make your designation more colorful.

### Support widely brands of PLC



- As professional touch screen interface, OP/TP series HMI support the connection of nearly all popular brands of PLC in the current market. You needn't any special hardware or software for the connection OP/TP to your PLC.

In order to serve better the OEM customer, you could develop communication drive programs for your special controller under the instruction of our engineers. We could also offer you open communication protocols for your single chip control system or other embedded system. This will make you more convenience for the connection of your controller and OP/TP series HMI, help you realize the integration of control system at the most range.



# Advanced technology



72450

80002

## Display and operation

Bar graph and Trend graph Active windows display Windows graphs, font input

Three levels password protection With clock module Integrate graph display

Touch panel Flexible buttons The data keys could be used as function keys

## Data disposing and connectedness

Realize data change with any PLC and self data storage

Support many communication protocols. The function keys can carry on any combination. One panel can communicate with many device

## Development

Compatible with JPEG and BMP files  
Convenience and easy to use file function  
Simulation function  
USB interface

Alarm information input/output function  
Function and Screen Objects of diverse dimension

File manage similar with Explorer  
Voice information storage  
Printer interface

## Cables for the connecting of each brand PLC

PLC Model	Series	CPU	Direct	Cable
Mitsubishi	MELSEC	FX0	e	OP-FC1-CAB0
		FX0n-60MR	e	
		FX1	e	
		FX1S	e	
		FX1N	e	
		FX2C	e	
		FX2N-64MR	e	
		FX2NC-32MR	e	
Siemens	SIMATIC S7-2000	CPU 213	e	OP-S7-CAB0
		CPU 221	e	
		CPU 223	e	
		CPU 224	e	
		CPU 226	e	
OMRON	SYSMAC C	C20H	e	OP-CQM-CAB0
		C28H	e	
		C40H	e	
		C120	e	
		C120F	e	
		C120H	e	
		C120HS	e	
		C500	e	
		C500F	e	
		C1000H	e	
		C1000HF	e	
		C2000	e	
		C2000H	e	
		CQM1-CPU11	e	
CQM1-CPU42	e			
Matsushita Electric	NAIS	FP2	e	OP-IP-CAB0
		FP3	e	
		FP5	e	
		FP10(S)	e	
		FP1	e	
		FP-M	e	
		FP10SH	e	
FP6	e			
KOYO	KOSTAC-SG	SG-8	e	OP-SL-CAB0
	KOSTAC-SU	SU-6B	e	
		SU-6		
		SU-5		
KOSTAC-SZ	SZ-4	e	OP-SZ-CAB0	
	KOSTAC-SR	SR-21		e
SR-22				
Keyence	KZ-300	KZ300	e	OP-Key-CAB0
		KZ350	e	
	KV	KV-10	e	
		KV16	e	
		KV24	e	
		KV-40	e	
		KV-700	e	
Delta	DVP series		e	OP-DVP-CAB0
AB	Logix1000		e	OP-AB-CAB0
FACON	FB series		e	OP-FB-CAB0
LG	Master-K	K80	Port1	OP-LG-CAB0
		K120		
Schneider	Micro		e	OP-Twido-CAB0
	NEZA			
	Twido			
Xinje	FC		e	OP-FC-CAB0



## Function description

Model		TP-A60-T	TP-A60-L	TP-560-T	TP-560-L	TP-460-L
Electric Characteristic	Type	TFT Color LCD	4-grade gray	TFT Color LCD	CCFL monochrome	Monochrome
	Using Life	Up to 50000 hours, Ambient temperature is 25 degrees, run 24 hours				
	Display Area	800*640	640*480	320*240		240*128
	Lightness	Potentionstat could be modified				
	Character	Chinese / English				
	Character's size	Any Size, Any Font				
	Touch Panel	Rectangle touch		Resistance touch		Rectangle touch
Memorizer	Screen	8MB		4MB		2MB
	Data	4KB		2KB		1KB
Interface	Download Port	RS232				
	Com Port	RS232/RS485/RS422				

## General specification

Model		TP-A60-T	TP-A60-L	TP-560-T	TP-560-L	TP-460-L
Electric Character	Input voltage	DC24V				
	Voltage's bound	DC20V~DC28V				
	Consume current	380mA	280mA	240mA	200mA	
	Allow Power-failure	Below 10mS (The actual power failure is less than 1 second)				
	Anti-voltage impulse	AC1000V, 20mA, less than 1 minute				
	Insulate Resistance	Up to 10M, DC500V				
Environment	Run Temperature	0°C~50°C				
	Store Temperature	-20°C~60°C				
	Run Humidity	10%RH~90%RH (No dew)				
	Anti-interfere ability	Interfere voltage: 1500Vp-p Pulse cycle: 1uS Retentive time:1 minute				
Atmosphere	No Canker air					
Structure	Cooling method	Nature wind cooling				
	External Size	311*234*48	189.4*141.4*44.4		173.2*121.4*45.1	
	Panel's hole size	301*224	181*133		164*112	

Item	Model
Download Cable	OP download cable
Install Bracket	2 or 4
Communication Cable	According to different PLC, choose different communication cables
Terminals	1
Airproof Cable	1

## Function description

Model		OP560-L	OP520	OP320	OP320-S	OP320-A	OP320-A-S
Display	Type	Blue LCD		Yellow-Green LCD			
	Using Life	Up to 2000 hours, ambient temperature: 25°C, 24 hours running					
	Display Area	320*240		192*64			
	Brightness	Potentiometer could be modified					
	Character Setting	Chinese English	Chinese: Simple English				
	Character Size	Any font Any size	Chinese: 16*16 32*32		English: 8*16 16*32		
	Button's number	42		7		20	
Memory	Screen	4 MB	1MB FlashROM				
	Data	2KB	1KB SRAM				
Interface	Download	RS232					
	Communication	RS485/RS422/ RS232	RS232 RS422	RS232/ RS485	RS232/ RS422	RS232/ RS485	

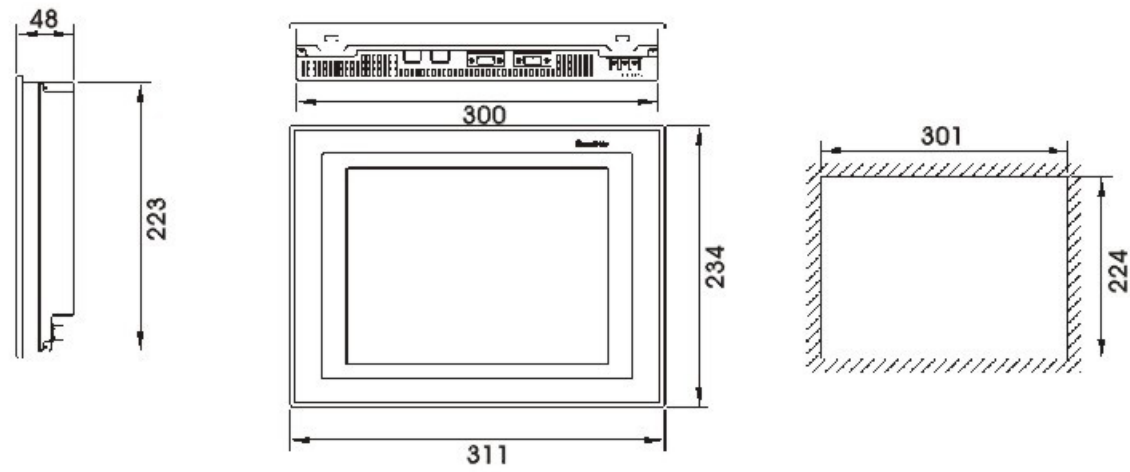
## General specification

Model		OP560-L	OP520	OP320	OP320-S	OP320-A	OP320-A-S
Electric Character	Input Voltage	DC24V					
	Voltage's bound	DC20V~DC28V					
	Current Consumption	<260mA		<140mA			
	Allow Power-drop	Below 10mS (The actual power failure is below 1sec.)					
	Anti-voltage Impulse	AC1000V, 20mA, less than 1 minute					
	Insulate resistance	Up to 10M, DC500V					
Environment	Run Temperature	0°C~50°C					
	Store Temperature	-20°C~60°C					
	Run Humidity	10%RH~90%RH (No dew)					
	Anti-interfere Ability	Interfere voltage: 1500Vp-p Pulse cycle: 1uS Retentive time:1 minute					
Atmosphere	No canker atmosphere						
Structure	Cooling Format	Nature wind cooling					
	External Size	283.3*193.9 *50		163.5*101.7*38		172*94*30	
	Panel's hole size	269*157		154*94		163*85	

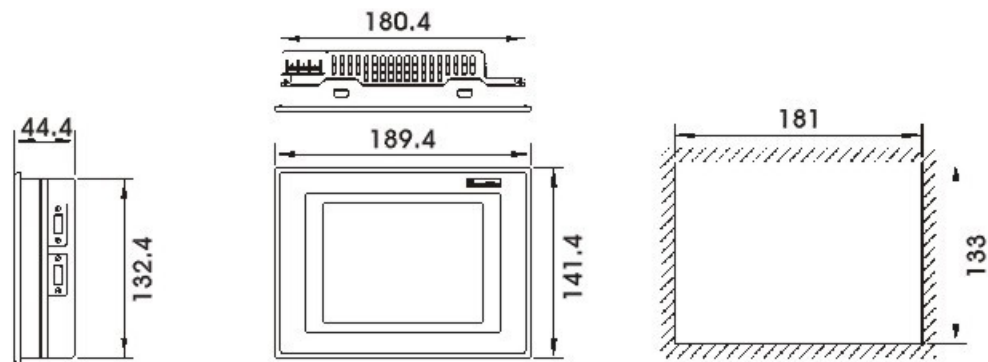
NOTE: The preceding models are all without clock, if you want the screens with real time clock, add C behind the model.

## External Size

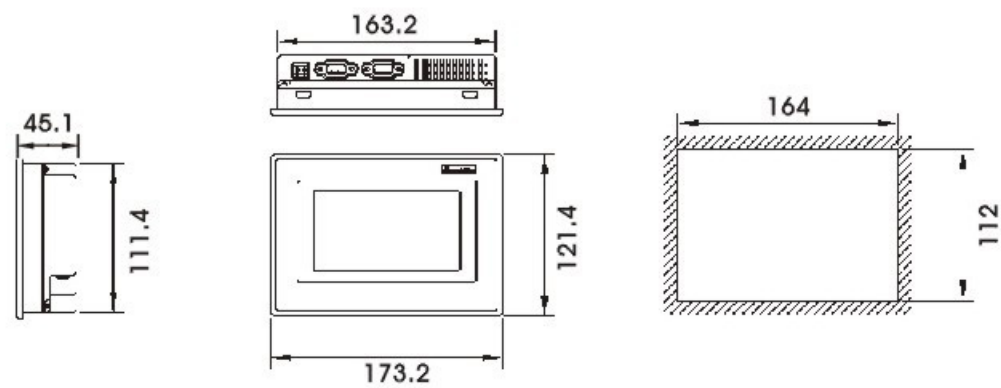
TP-A60-T/TP-A60-L



TP-560-T/TP-560-L

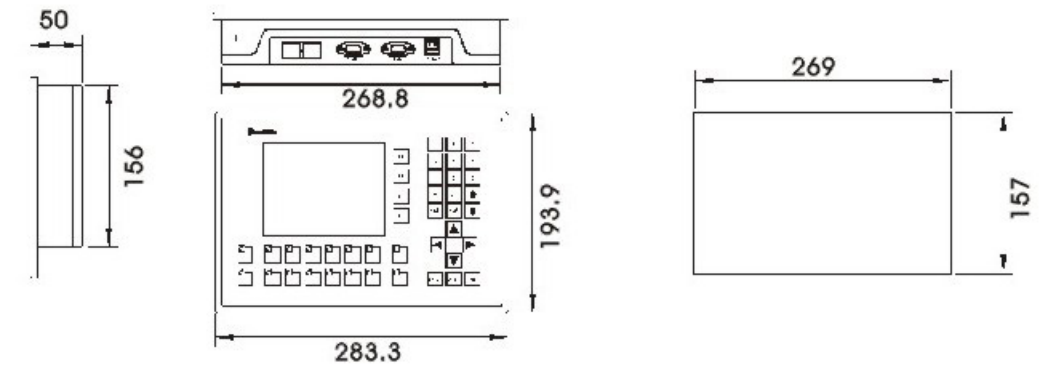


TP-460-L

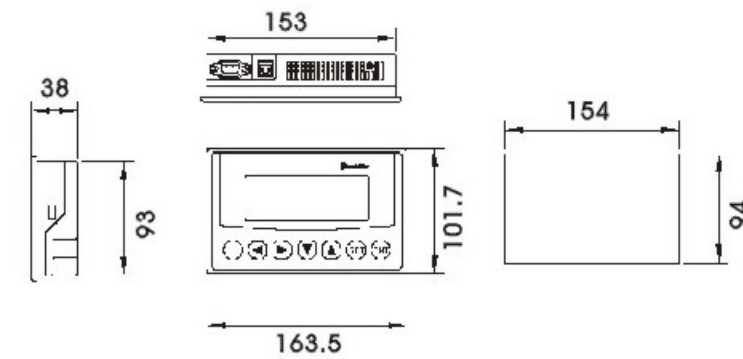


## External Size

OP-560-L



OP320/OP320-S



OP320-A/OP320-A-S

