

INCREMENTAL
HOLLOW TYPE

H88A-18 Series

- Features : Elevator, Parking system, Industrial motor
- Easy to be attached, Customized design,
- Prompt delivery

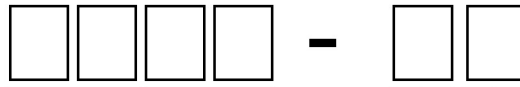


Model

INCREMENTAL
HOLLOW TYPE
Outer Diameter $\varnothing 88$

Shaft Size
18 : $\varnothing 18$

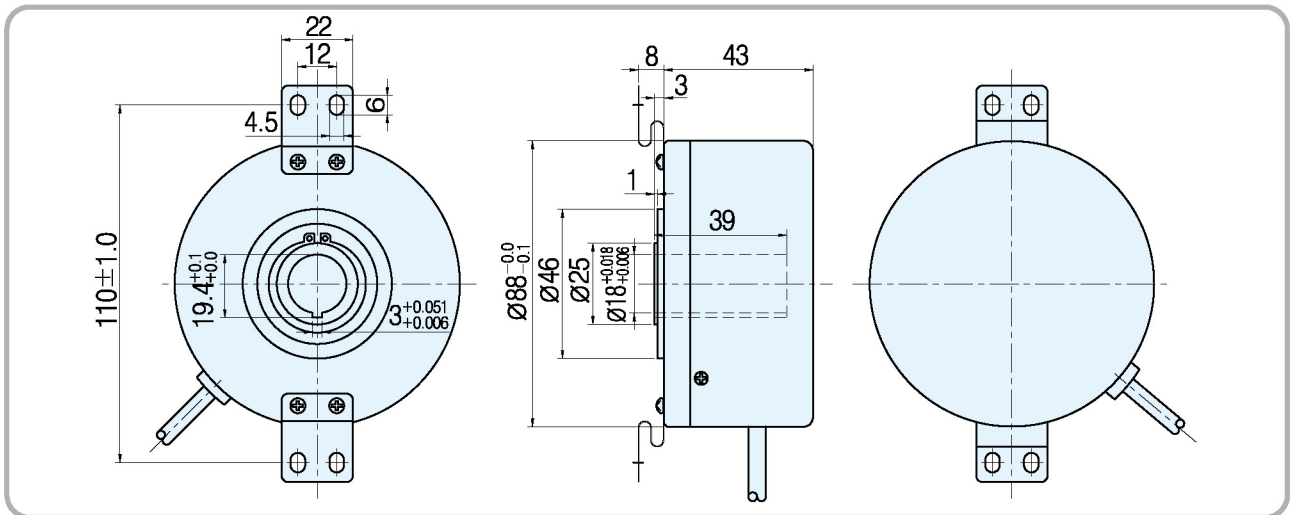
H88A-18-



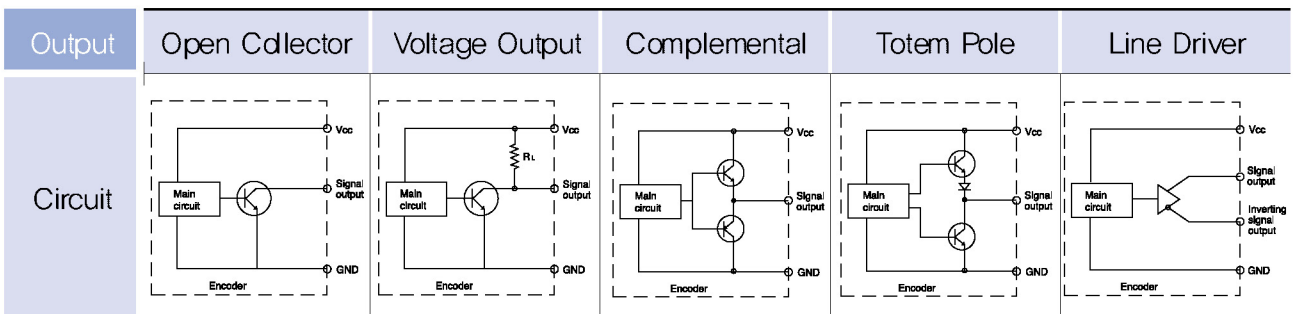
Resolution(P/R)	Output Signal	Output Form	Cable Length
0512 1024	<ul style="list-style-type: none"> B : A, B Z : A, B, Z U : A, \bar{A}, B, \bar{B} V : A, \bar{A}, B, \bar{B}, Z, \bar{Z} 	<ul style="list-style-type: none"> O : Open Collector V : Voltage Output C : Complemental T : Totem Pole L : Line Driver 	<ul style="list-style-type: none"> 1 : 1[M] 2 : 2[M] 3 : 3[M] 4 : 5[M] 5 : 10[M]

Thesepec of power may be different depending on the type of output and be sure to check the electric spec.

External Dimension



Output Circuit



Electrical Spec.

Output type	Open Collector	Voltage Output	Complemental	Totem Pole	Line Driver
Power Supply	DC +15[V] Ripple p-p : less than 5%	DC +15[V] Ripple p-p : less than 5%	DC +15[V] Ripple p-p : less than 5%	DC +15[V] Ripple p-p : less than 5%	DC +5[V] Ripple p-p : less than 5%
Consuming Current (In case of no load)	70mA Max	70mA Max	150mA Max	150mA Max	150mA Max
Maximum Response Frequency	150 KHz				
Output voltage	Less than $V_{-} 0.5[V]$ / More than $V_{+} 2.5[V]$ (In case of inputting +5V), /More than $V_{+} 10[V]$ (In case of inputting +15V)				
Output current	Less than 20mA	Less than 20mA	Less than 10mA	Less than 10mA	Less than 20mA
Rising, decline time	Less than 3 μ s	Less than 3 μ s	Less than 1 μ s	Less than 1 μ s	Less than 0.1 μ s
Common conditions	In case that the cable length of output side is 1[M] and load resistance is less than 1[k Ω]				

Mechanical Spec.

Starting Torque	200g - cm Max
Maximum number of revolution	3000 rpm
Bearing lifetime	40,000[hr](In case of rotating by 5000rpm)
Allowable Shaft Load	Radial : 3.8kg Max Axial : 1.9kg Max
Position deflection of allowable shaft	Radial : Less than 0.05 mm Axial : Less than 0.2mm
Connection Table	4P(AWG26) Shield CABLE
weight	550g

Rigid Spec.

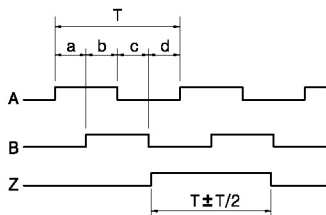
Operating Temp. Range	-10°C ~ +70°C (No freezing)
Preserving temp	-20°C ~ +85°C
Using humidity	35% ~ 80% RH
Preserving Humidity	30% ~ 85% RH
Internal Vibration	5G
Internal Shock	100G
Degree of Protection	IP 50

Output Phase Shift

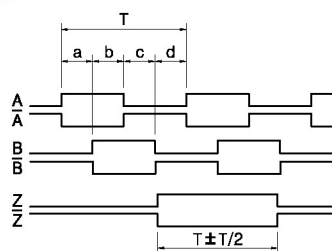
CCW → Counterclockwise viewed from shaft end
 $a + b, c + d = T/2 \pm T/10$
 $a, b, c, d = T/4 \pm T/10$



Open Collector, Voltage Output
 Complemental, Totem Pole



Line Driver



Connection Table

Cable's Color	Connection Table	
Output Form	Open Collector Voltage Output Complemental Totem Pole	Line Driver
Red	Vcc	Vcc
Black	GND	GND
Green	A Sig	A Sig
Blue	-	\bar{A} Sig
White	-	B Sig
Pink	-	\bar{B} Sig
Yellow	B Sig	Z Sig
Orange	-	\bar{Z} Sig
Shield	CASE Shield	CASE Shield