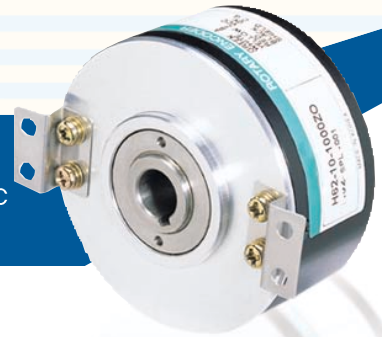


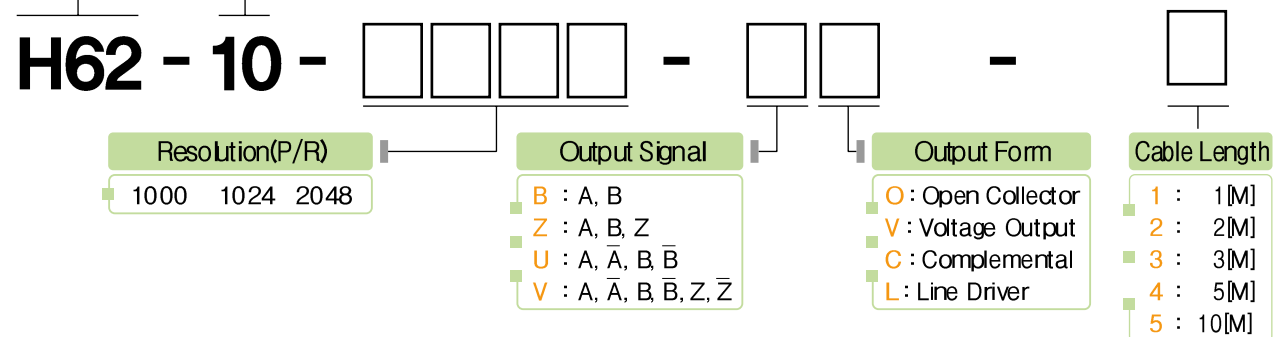
INCREMENTAL HOLLOW TYPE H62 Series



- Features : Elevator, A. G. V
- Rigid type, Strengthened anti-Noise characteristic
- Customized design, Prompt delivery

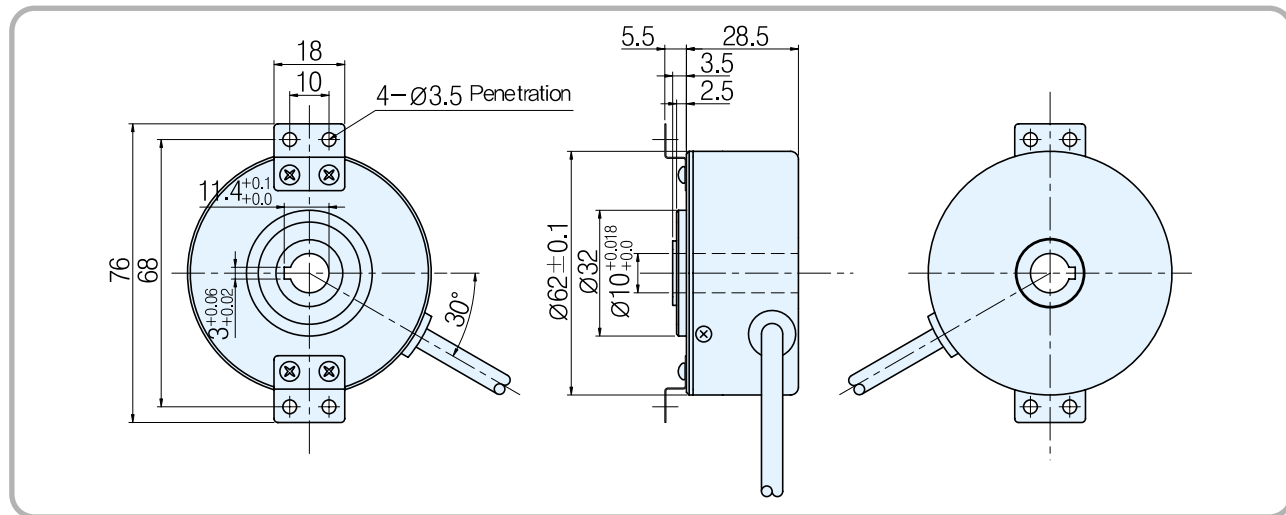
Model

INCREMENTAL HOLLOW TYPE Shaft Size
 Outer Diameter Ø62 10 : Ø10 ※Option : 8 : Ø8 / 95 : Ø9.525

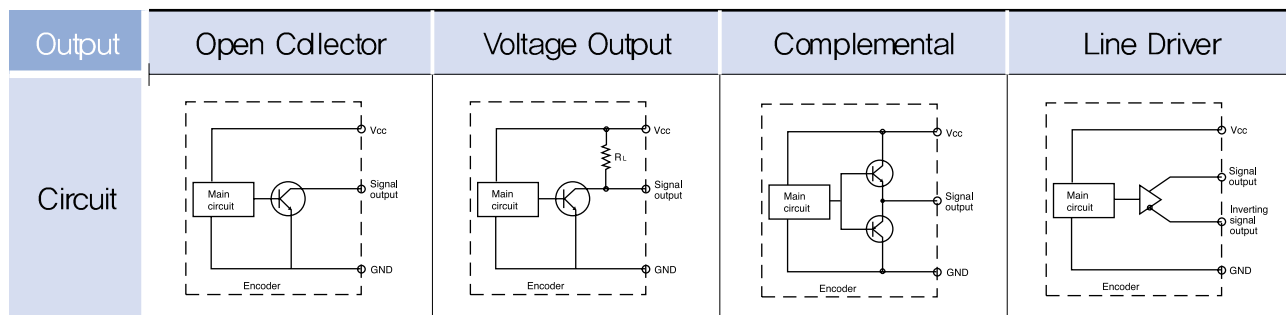


! Resep of power may be different depending on the type of output and be sure to check the electric spec.

External Dimension



Output Circuit



Electrical Spec.

Output type	Open Collector	Voltage Output	Complemental	Line Driver
Power Supply	DC +15[V] Ripple p-p : less than 5%	DC +15[V] Ripple p-p : less than 5%	DC +12[V] Ripple p-p : less than 5%	DC +5[V] Ripple p-p : less than 5%
Consuming Current (In case of no load)	70mA Max	70mA Max	150mA Max	200mA Max
Maximum Response Frequency	300 KHz			
Output voltage	Less than V _i 0.5[V] / More than V _i 2.5[V] (In case of inputting +5V), More than V _i 10[V](In case of inputting +5V)			
Output current	Less than 20mA	Less than 20mA	Less than 10mA	Less than 20mA
Rising, decline time	Less than 3μs	Less than 3μs	Less than 1μs	Less than 1μs
Common conditions	In case that the cable length of output side is 1[M] and load resistance is less than 1[kΩ]			

Mechanical Spec.

Starting Torque	120g - cm Max
Maximum number of revolution	5000 rpm
Bearing lifetime	40,000[hr](In case of rotating by 5000rpm)
Allowable Shaft Load	Radial : 3.0kg Max Axial : 1.5kg Max
Position deflection of allowable shaft	Radial : Less than 0.05 mm Axial : Less than 0.2mm
Connection Table	4P(AWG26) Shield CABLE
weight	400g

Rigid Spec.

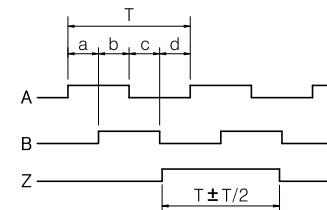
Operating Temp. Range	-10°C ~ +70°C (No freezing)
Preserving temp	-20°C ~ +85°C
Using humidity	35% ~ 80% RH
Preserving Humidity	30% ~ 85% RH
Internal Vibration	5G
Internal Shock	50G
Degree of Protection	IP 50

Output Phase Shift

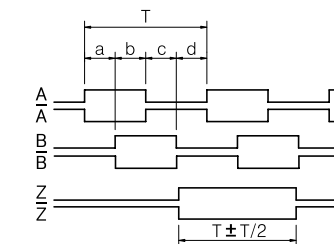
CW → Clockwise viewed from shaft end
 $a + b, c + d = T/2 \pm T/10$
 $a, b, c, d = T/4 \pm T/10$



Open Collector, Voltage Output Complemental



Line Driver



Connection Table

Cable's Color	Connection Table	
Output Form	Open Collector Voltage Output Complemental	Line Driver
Red	Vcc	A Sig
Black	GND	GND
Green	A Sig	A Sig
Blue	-	\bar{A} Sig
White	B Sig	B Sig
Pink	-	\bar{B} Sig
Yellow	Z Sig	Z Sig
Orange	-	\bar{Z} Sig
Shield	CASE Shield	CASE Shield